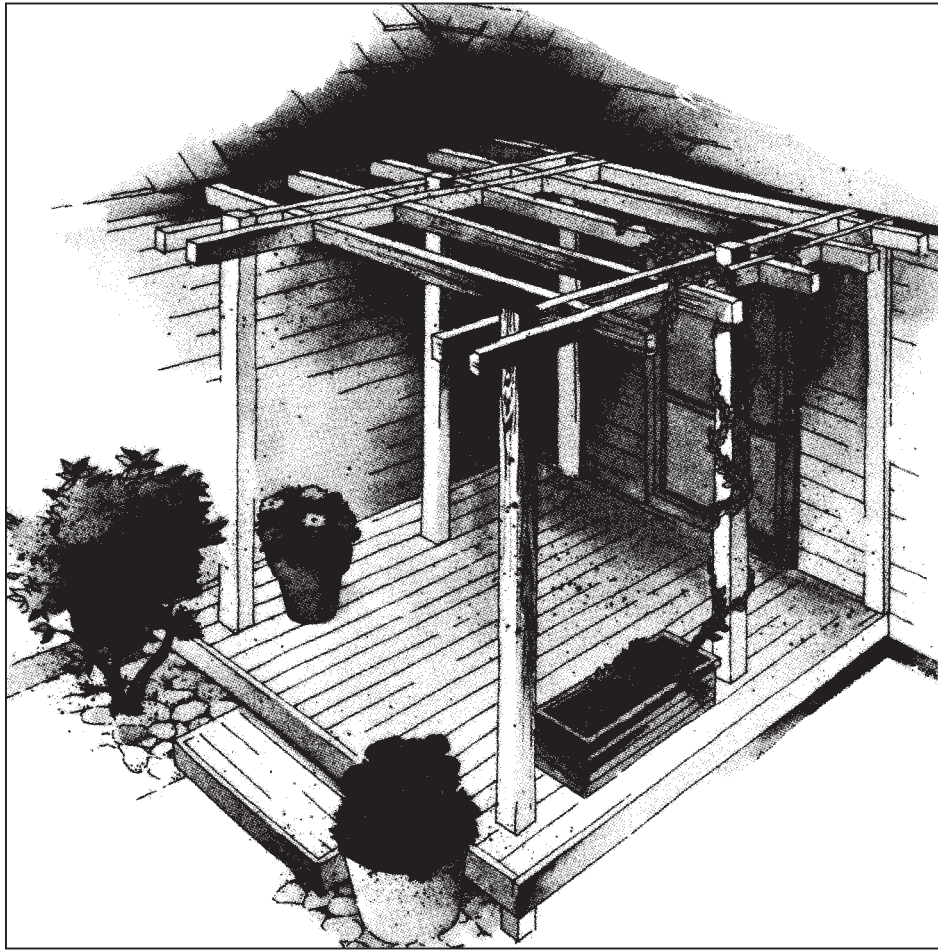


TRELLIS



**SOUTHERN
FOREST PRODUCTS
ASSOCIATION**

6660 Riverside Dr., Suite 212
Metairie, LA 70003

SouthernPine.com
SouthernPineDecks.com

Trellis

Project Plan #852 Sheet 1 of 5

Copyright © 2012 Southern Forest Products Association. All rights reserved.

A trellis can function as a unique sunscreen or can be the framework for an outdoor hanging garden. And building it with pressure-treated Southern Pine lumber adds durability to its beauty. The waterborne preservative is nonleachable and will not harm plants.

This plan will show you how to build a 14x16-foot trellis for your garden, deck, or patio. You can expand or reduce the modular dimensions of this trellis plan to suit your specific requirements. When it's finished, you can plant climbing ivy or vines, add hanging baskets of flowers, and extend your garden to an overhead display of color and fragrance.

Design Note: For structural stability of this trellis, use one of the following options:

1. Sink columns 3' into ground using concrete, gravel, or compacted soil for a free-standing trellis.
2. Incorporate the trellis with a deck, connecting columns with deck beams and/or joists.
3. Attach beams and purlins, on at least two sides of the trellis, to your house or other permanent structure using hot-dipped galvanized or stainless steel nails and/or hardware.

TOOLS REQUIRED

- Circular or crosscut saw
- Hammer
- Square
- Line, level
- Post hold digger (optional)
- Carpenter's rule or tape

MATERIALS LIST

To build this trellis, you will need the following quantities of pressure-treated Southern Pine lumber:

NUMBER OF PIECES	MATERIAL	LENGTH	SERVICE CONDITION
8	4x6	12'*	Ground Contact
16	2x4	12'*	Ground Contact
4	2x6	16'	Above Ground
4	2x4	16'	Above Ground
4	2x6	14'	Above Ground
19	1x4	6'	Above Ground
4	2x2	10'	Above Ground
22	2x2	4'	Above Ground

* Purchase 10' lengths if columns will not be sunk into the ground.

OTHER MATERIALS NEEDED

- 6d, 8d, and 16d hot-dip galvanized or stainless steel fasteners (See Fastener Advisory)
- Construction adhesive for pressure-treated lumber
- Water-repellent sealer

These plans and the information contained herein will help you achieve the best possible results in working with Southern Pine lumber products. The conditions under which lumber is used in construction vary widely, as does the quality of workmanship. Since neither the Southern Forest Products Association nor its members control the method of use or the quality of workmanship in structures built with lumber, they do not warrant lumber performance or design in completed structures.



SouthernPine.com
SouthernPineDecks.com



6660 Riverside Dr., Suite 212
Metairie, LA 70003

SouthernPine.com
SouthernPineDecks.com

Trellis

Project Plan #852 Sheet 2 of 5

Copyright © 2012 Southern Forest Products Association. All rights reserved.

CONSTRUCTION STEPS

NOTE: This trellis plan uses full lengths of most materials.

CUTTING

1. From three of the 1x4s, cut 8 pieces 1'-8" long.
2. From ten of the 4' 2x2s, cut 46 pieces 9" long.
3. Cut other 2x2 trim material after columns, beams, and purlins are erected to determine exact lengths required.
4. If the columns will not be sunk 3' into the ground, cut eight 4x6 timbers and sixteen 2x4s to 9'-0" in length.

ASSEMBLY

1. Fabricate columns by centering a 12' 2x4 on the wide dimension of each 4x6 timber. Nail into place using 12d nails.
2. Fabricate purlins by centering 1x4 pieces along the four 14' 2x6s. Use two 6' 1x4s and one 1'-8" length on each side of a 2x6. Attach 1x4s using 6d nails and construction adhesive.
3. Locate and mark column location on 16' 2x6 beam members, 4'-0" on center. Attach beams to both sides of columns using 12d nails and construction adhesive. Refer to plan.
4. Center 16' 2x4s on beams. Attach using 8d nails and construction adhesive.
5. Erect column/beam assemblies, 10'-0" on center.
6. Attach purlins to center of columns, toe-nailing into columns using 16d nails. Use construction adhesive at this joint, also. Like the beam ends, the ends of the purlins should extend beyond the column centerline by two feet. Refer to plan.
7. Complete trim assemblies between columns with 2x2 material. Make exact measurements between beams. Evenly space eleven 2x2s across the two 10-foot spans; space four 2x2s across the shorter spans of approximately 3'-6". Use 8d nails and construction adhesive to fabricate trim assemblies.
8. Attach trim assemblies between beams using 8d nails and construction adhesive. Align the top edge of the assembly with the bottom edge of the beams.
9. Apply a water-repellent sealer to all exposed wood surfaces now that construction is complete. Properly dispose of treated lumber scraps.



**SOUTHERN
FOREST PRODUCTS
ASSOCIATION**

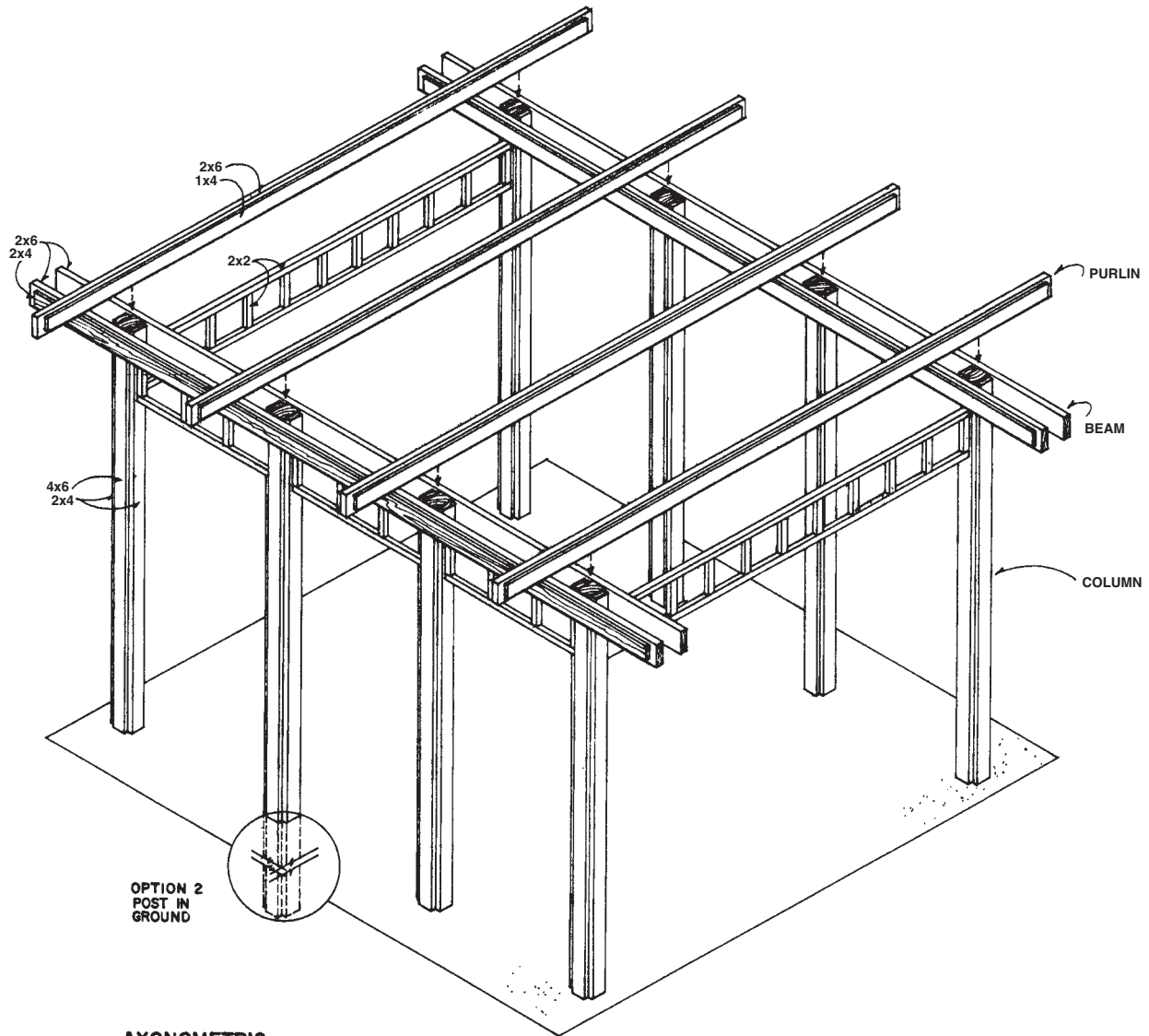
6660 Riverside Dr., Suite 212
Metairie, LA 70003

SouthernPine.com
SouthernPineDecks.com

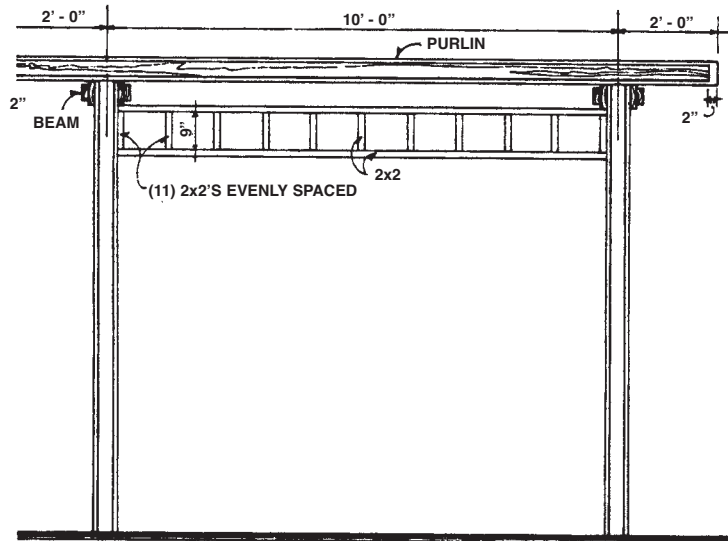
Trellis

Project Plan #852 Sheet 3 of 5

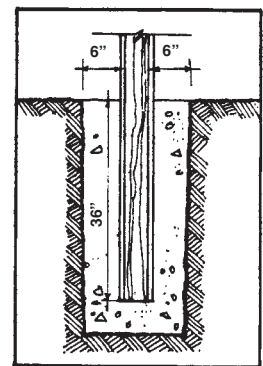
Copyright © 2012 Southern Forest Products Association. All rights reserved.



AXONOMETRIC



ELEVATION



**OPTION 2 DETAIL
COLUMN SET IN CONCRETE**



**SOUTHERN
FOREST PRODUCTS
ASSOCIATION**

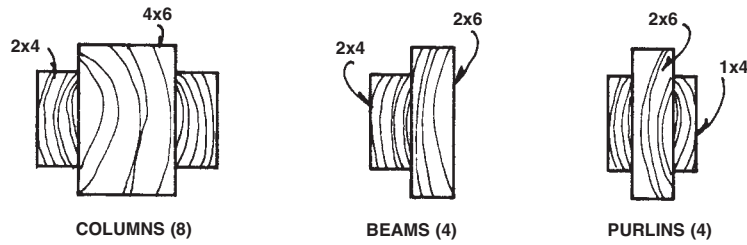
6660 Riverside Dr., Suite 212
Metairie, LA 70003

SouthernPine.com
SouthernPineDecks.com

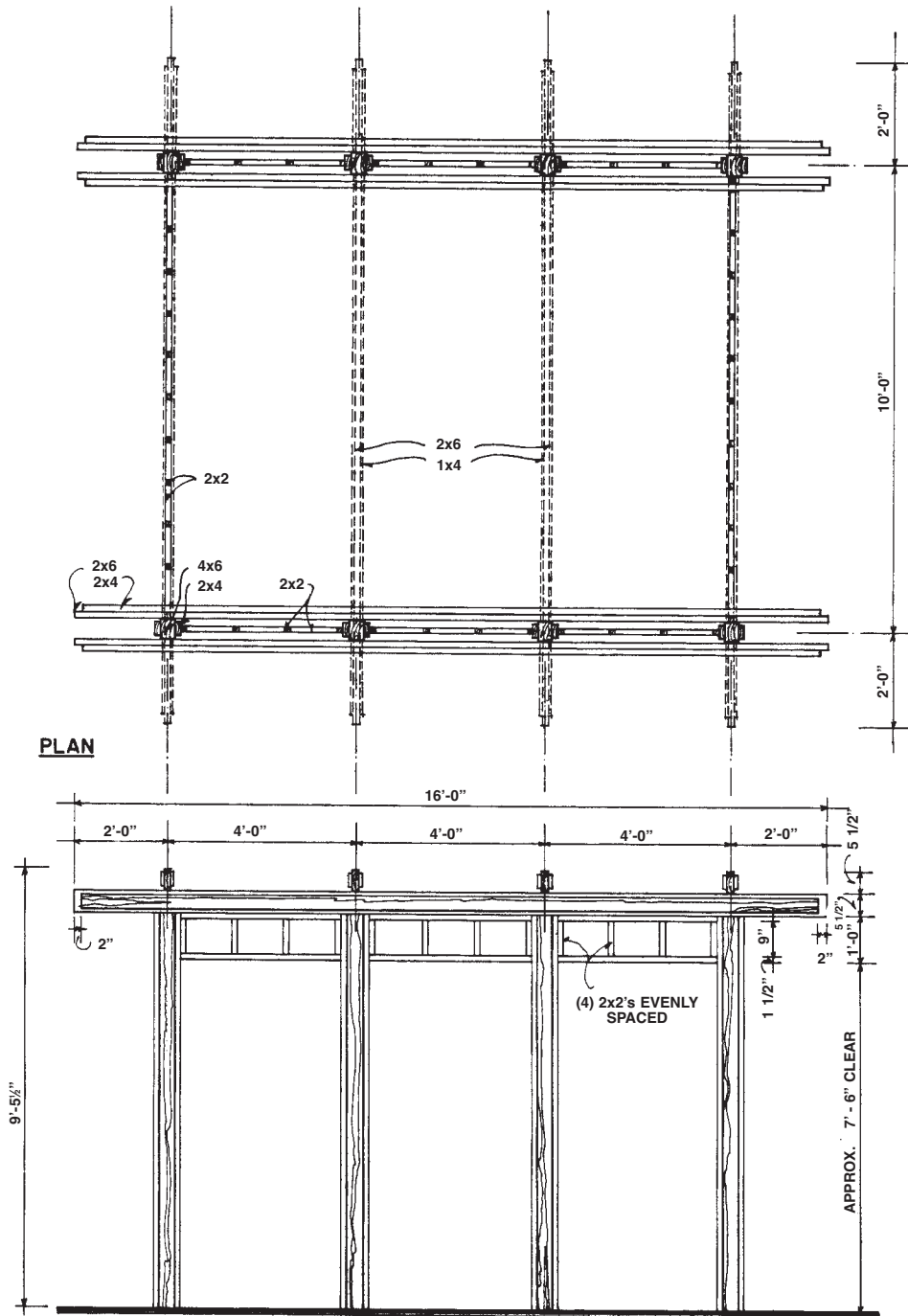
Trellis

Project Plan #852 Sheet 4 of 5

Copyright © 2012 Southern Forest Products Association. All rights reserved.



COMPONENT CROSS SECTIONS



**SOUTHERN
FOREST PRODUCTS
ASSOCIATION**

6660 Riverside Dr., Suite 212
Metairie, LA 70003

SouthernPine.com
SouthernPineDecks.com

Trellis

Project Plan #852 Sheet 5 of 5

Copyright © 2012 Southern Forest Products Association. All rights reserved.